

050-0850  
TriGuard Heavy Duty  
Latch Module With  
Slam Cam Option



This heavy duty latch module is designed for medium to heavy-duty entrance and rear door applications. It features a proven single rotor latch design and high strength 8 gauge (4.2mm) front mounting plate with flange mounting.

- Medium to heavy duty doors greater than 200 lbs. (91kg) with door seal pressures of 50-150 lbs. (23-60 kg)
- Use with TriMark 070-0201 Striker Bolt

**FEATURES/BENEFITS:**

- Heavy duty modular construction — survives in punishing environments
- Can be used on retrofit or new surface mount vehicle construction
- Heavy duty latch/striker with self-aligning “slam cam” provides rotor/cam assist to heavy doors, hinges and compensates for door sag

**Global Locations:**

**TriMark Corporation**  
500 Bailey Avenue  
P.O. Box 350  
New Hampton, Iowa 50659  
United States  
Tel: 641-394-3188  
Fax: 641-394-2392  
1-800-447-0343  
www.trimarkcorp.com

**TriMark Europe**  
Unit 3  
Sence Court  
Bardon Hill  
Coalville LE67 1GZ  
United Kingdom  
Tel: +44(0)1530 512460  
Fax: +44(0)1530 512461  
www.trimarkeu.com

**TriMark (Xuzhou)**  
Building A5 Jingwu Road  
Xuzhou Economic  
Development Zone  
Xuzhou, Jiangsu  
221004 PR China  
Tel: +86 516 8773 0018  
Fax: +86 516 8773 0058  
www.trimarkcn.com



TriMark. Interactive. Product. Selector



TriMark



TriMark Corporation



TriMark Corporation



# 050-0850 TriGuard Heavy Duty Latch Module With Slam Cam Option

**AVAILABLE:**

- Right or left hand configurations (right hand shown)
- With slotted mounting holes to facilitate vertical adjustment
- Striker with self-aligning "slam cam"
- Replaceable striker alignment lift blocks
- Custom configured release levers

**MATERIAL:**

- Case halves: high strength steel
- Springs: non-corrosive stainless steel

**FINISH:**

- Zinc plated, clear chromate steel components

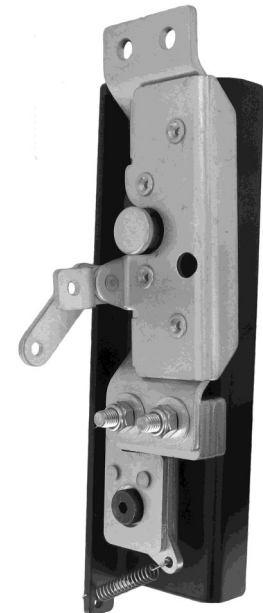
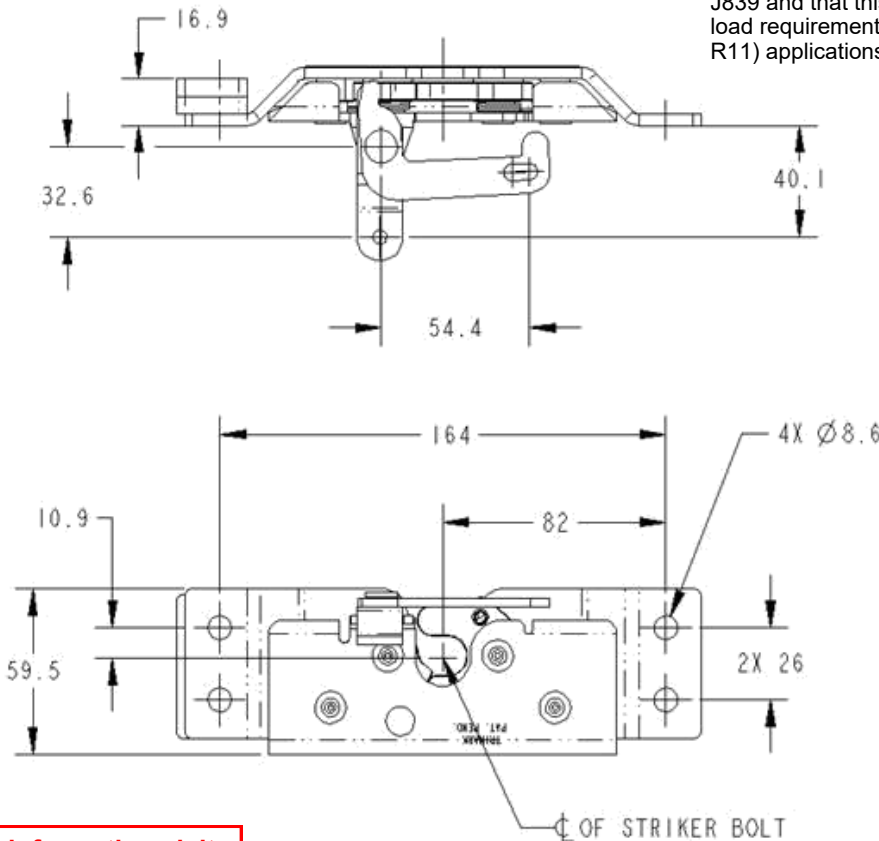
**INSTALLATION:**

- (4) M8 X 1.25 class 8.8 or better fasteners are recommended (not included)
- Tighten to the manufacturers' recommended torque value

**U.S. Patent No. 7,938,458**

Individual part dimensions are for reference only. Refer to individual part drawings for complete dimensions, specifications, and installation procedures. Engineering assistance and application drawings are available.

**Caution:** Applications of this latch may fall within the requirements of FMVSS 206 (ECE R11) and SAE J839 safety standards. These safety related requirements are dependent on door application, e.g. front and rear hinged doors, sliding doors, or hinged upward swinging doors. The entire door hardware system must be included in the design/analysis process: latch, handle, lock mechanism, cables/rods/linkages, fasteners, hinges, etc. This ensures compatibility of all components within the hardware system. If FMVSS 206 (ECE R11) is a requirement, then all of the components within the door system must comply with strength, inertia and locking requirements as specified within the Standard. Note that this product complies with FMVSS 206 (ECE R11) when tested with approved TriMark Striker Bolts in accordance with SAE J839 and that this product meets FMVSS 206 (ECE R11) load requirements and may be used in FMVSS 206 (ECE R11) applications pending TriMark application approval.



**Striker With Self-Aligning "Slam Cam"**

For more information visit [www.trimarkcorp.com](http://www.trimarkcorp.com)

